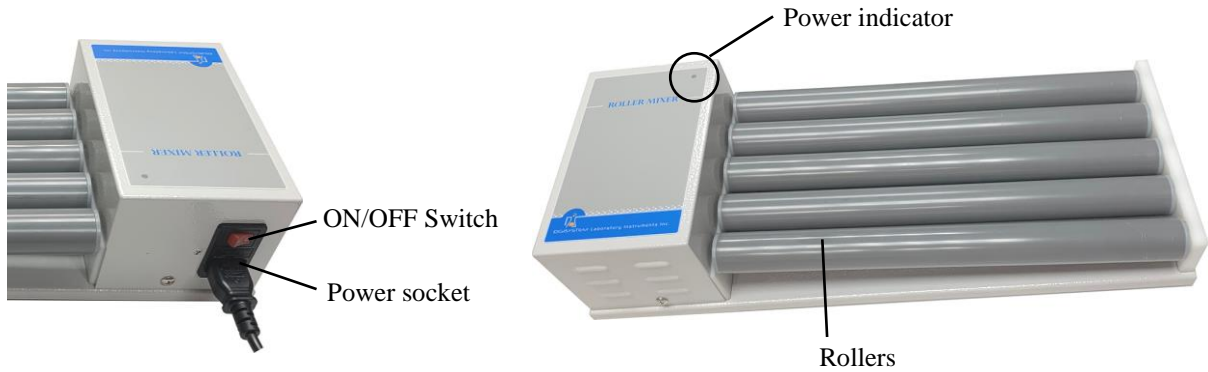


INSTRUCTION MANUAL FOR ROLLER MIXER



Warnings:

- * Do not remove the mixer during operation.
- * Place the mixer securely away from the edge of bench to avoid the mixer falling off the bench top.
- * Do not disassemble the mixer by yourself. In the event of a malfunction, the mixer should be repaired by a qualified technician. Before repairing, turn off the power.

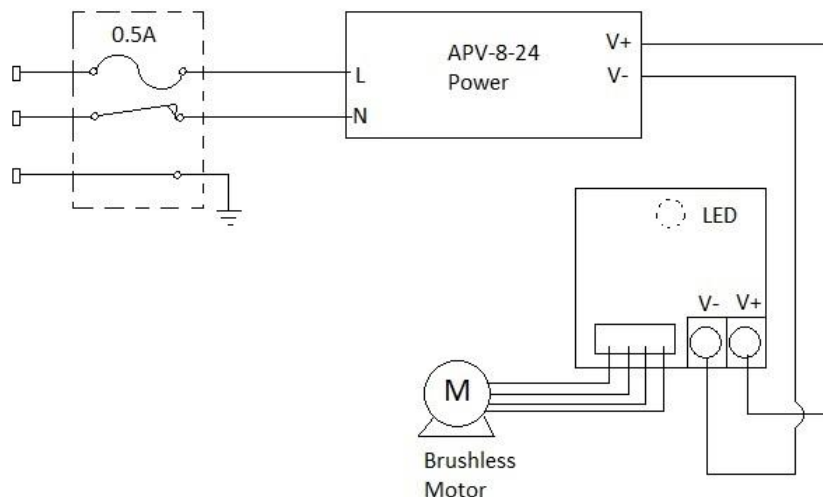
Steps:

1. Place the mixer on a flat and stable bench top. Connect cable with power socket and a properly grounded outlet which corresponds with the electrical requirements on the label back on machine.
2. Put the specimen into a container and tight closed, and then place the container between 'Rollers'.
3. Place 'ON/OFF Switch' at 'ON' position, and then the power indicator is illuminated. Then the machine starts rolling.
4. Containers can be loaded and unloaded during the machine rolling.

Maintenance and care:

Keep the machine clean all the time, so no routine maintenance is required. Cleaning can be done with a damp cloth. Avoid the use of solvents as they may damage the machine housing.

Circuit Diagram



Troubleshooting Guide

Caution: Always disconnect the power cord before troubleshooting.

Trouble	Cause	Remedy
Instrument inoperative	Power cord not connected to outlet.	Plug in the power cord.
	Dead power output.	Change to different output.
	Fuse blown.	Change a new fuse.
	Defective electronic component.	Contact your distributor for repair.
Rollers doesn't rotate	Switch is at "OFF" position.	Place the switch at "ON" position.
	PC board is broken.	Contact your distributor for repair.
	Motor is broken.	Contact your distributor for repair.
	Switch is broken.	Contact your distributor for repair.
	Drive pully oiled on the rubber ring.	Contract your distributor for cleaning up the oil.
	Rubber ring is broken.	Contact your distributor for repair.
	Plastic fixer for driven pulley is broken.	Contact your distributor for repair.
	Plastic gear is broken.	Contact your distributor for repair.
The motor, plastic gears, and rollers don't joint well.	Contact your distributor for repair.	